

Inspiring Brilliant Minds

**Brand new design.
Light weight and portable.**

BrilliantTech New Portable Visualizer



3060

- ▶ 12 image internal memory save and recall
- ▶ Kensington lock to protect your investment
- ▶ High speed auto focus, white balance and color
- ▶ Image freeze, split, rotation, and text mode features
- ▶ Native XGA image for a sharp and clear presentation
- ▶ 3x optical zoom and 8x digital zoom for close up viewing
- ▶ Environmentally friendly LED lamps provide perfect lighting
- ▶ Plug and play USB2.0 image capture and video recording with sound



Specifications

BrilliantTech Portable Visualizer

Model No.	i-3060
Sensor	1/3" CMOS
Pixels	1.32 Megapixel
Zoom	3x optical, 8x digital
Frame rate	25
Shooting area	Max: 13.5" x 10.6" /34.3 cm x 26.9 cm Min: 0.1" x 0.1"/0.3 cm x 0.3 cm
Focus	Auto/manual
Native output signal	XGA(1024x768)
Converted output signal	WXGA
Resolution (Horizontal)	≥650 TV lines
White balance	Auto/manual
Color adjustment	Yes
Brightness adjustment	Yes
Image capture	Yes, 12 images
Video recording	Yes, with sound
Image rotation	180°
Image split	Yes
Image freeze	Yes
Text mode	Yes
OSD	Yes

OUTPUT TERMINALS

VGA	x1
-----	----

OTHER TERMINALS

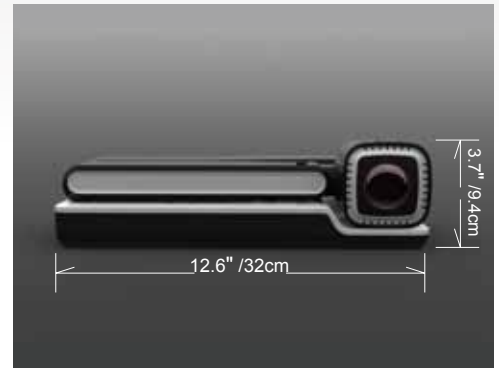
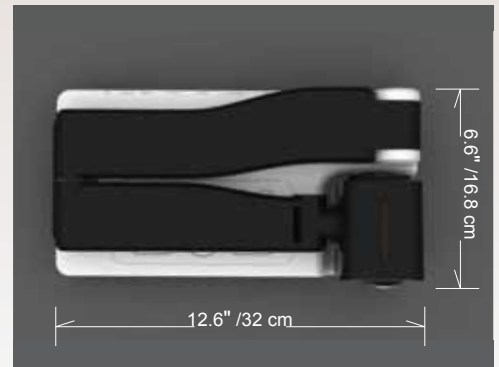
USB2.0	Slave×1(USB camera/Built-in image download)
USB driver and software	Windows 2000/XP/Vista, Mac OS10.4 or above Driver plug and play

MISCELLANEOUS

Remote control	Yes(360°controllable)
Kensington lock	Yes
Light source	Embedded LED lamp on Arm
Operating temperature	32° F to 104° F 0° C to 40° C
Dimensions	Folded:12.6" × 6.6" ×3.7" 32cm x 16.8cm x 9.4cm Setup:19.7" × 6.6" × 19.3" 50cm x 16.8cm x 49cm
Power supply	12V DC power adapter
Weight(net)	5.5lbs/2.5kg



Folded:



Setup:



Brilliant Technology, LLC
723A Phillips Avenue Suite 201 Toledo, OH 43612
PO Box 2589 Toledo, OH 43606

Toll Free: 1-877-98-Brilliant/1-877-982-7455
Tel: 1-419-324-0670
Fax: 1-248-708-6000
Email: info@brillianttechnology.com
Web: www.brillianttechnology.com



The Eco mark represents BrilliantTechnology's will to create environmentally friendly products, and indicates that the product satisfies the EU RoHS Directive.

