

Inspiring Brilliant Minds

***New look. Fresh design.
Light weight and portable.***

BrilliantTech New Portable Visualizer



3080

- ▶ Native 3 megapixel SXGA resolution
- ▶ Active VGA pass through with sound
- ▶ 12 image internal memory save and recall
- ▶ High speed auto focus, white balance and color
- ▶ Image freeze, mirror, split and text mode features
- ▶ Built-in Kensington lock to protect your investment
- ▶ Environmentally friendly LED lamps provide perfect lighting
- ▶ 9x optical zoom and 8x digital zoom for viewing intricate details
- ▶ Plug and play 2.0 image capture and video recording with sound



Specifications

BrilliantTech Portable Visualizer

Model No.	i-3080
Sensor	1/3" CMOS
Pixels	3 Megapixel
Zoom	9x optical, 8x digital
Frame rate	25
Shooting area	Max: 13.5" x 10.6" /34.3 cm x 26.9 cm Min: 0.1" x 0.1"/0.3 cm x 0.3 cm
Focus	Auto/manual
Output resolution	XGA,SXGA
Resolution (Horizontal)	≥750 TV lines
White balance	Auto/manual
Color adjustment	Yes
Brightness adjustment	Yes
Image capture	Yes, 12 images
Video recording	Yes(via USB)
Image mirror	Yes
Image split	Yes
Image freeze	Yes
Text mode	Yes
OSD	Yes

INPUT TERMINALS

VGA	x1
AUDIO	x1

OUTPUT TERMINALS

VGA	x1
VIDEO	x1
S-VIDEO	x1
AUDIO	x1

OTHER TERMINALS

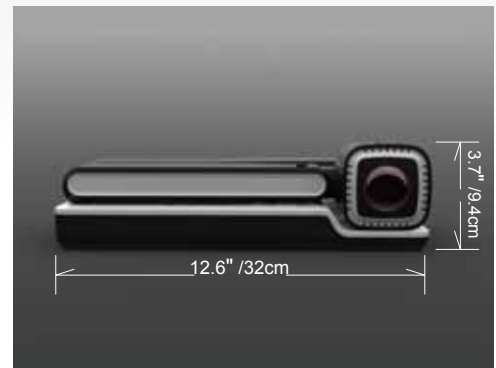
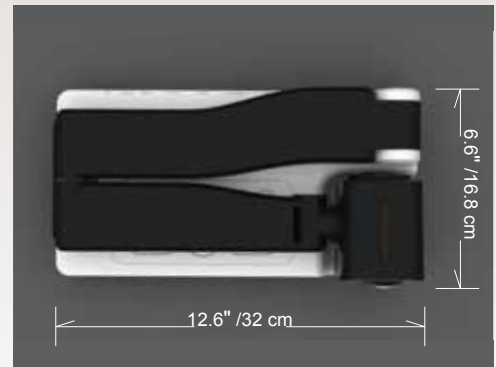
USB2.0	Slave×1(USB camera)
RS232 (computer controllable)	x1

MISCELLANEOUS

Remote control	Yes(360°controllable)
Kensington lock	Yes
Light source	Embedded LED lamp
Operating temperature	32° F to 104° F 0° C to 40° C
Dimensions	Folded:12.6"×6.6"×3.7" 32cm x 16.8cm x 9.4cm Setup:19.7"×6.6"×19.3" 50cm x 16.8cm x 49cm
Power supply	12V DC power adapter
Weight(net)	5.5lbs/2.5kg



Folded:



Setup:



Brilliant Technology, LLC
723A Phillips Avenue Suite 201 Toledo, OH 43612
PO Box 2589 Toledo, OH 43606

Toll Free: 1-877-98-Brilliant/1-877-982-7455
Tel: 1-312-348-6070
Fax: 1-248-708-6000
Email: info@brillianttechnology.com
Web: www.brillianttechnology.com



The Eco mark represents BrilliantTechnology's will to create environmentally friendly products, and indicates that the product satisfies the EU RoHS Directive.

